



TIPS AND TRICKS FROM THE EXPERTS

Virtual leaks: formation, detection, and avoidance

A virtual leak is an apparent, unreal leak caused by the slow release of sorbed or occluded gases from the surfaces or bulk of material or from volumes partially trapped within the system. The key component of the definition above is the slow release of gases. This clearly identifies the effect of virtual leaks as gas sources that slow down a pumping process or significantly prolong the time to reach the desired base pressure.

The gas flow rate from the virtual leak is determined by the dimensions of the leak channel between the trapped gas reservoir and the free volume of the vacuum chamber. If the channel is very small, the trapped gases are released very slowly due to the high flow resistance of the channel. The pump-down time for the chamber can be extended significantly. If the vacuum system is repeatedly vented, the gas reservoir can replenish itself over and over again. This effect is

repeated every time pumping occurs. The pump itself does not influence the degassing rate. The leakage rate (in mbar·l/s) from the cavity is in equilibrium with the gas extracted by the pump, i.e. the pumping speed (l/s) multiplied by the actual pressure (mbar).

Formation of virtual leaks through enclosed gas volumes

Enclosed gas volumes may, for instance, occur in joining processes during the production of a vacuum chamber. If, for example, a wall of a vacuum container is to be butt welded onto a bottom plate, inexperienced designers often specify a double fillet weld (see Figure 1). This runs the risk that gas becomes trapped between the two welds. If the welding seam on the vacuum side is not tight, the trapped gas will spread into the interior of the vacuum chamber.

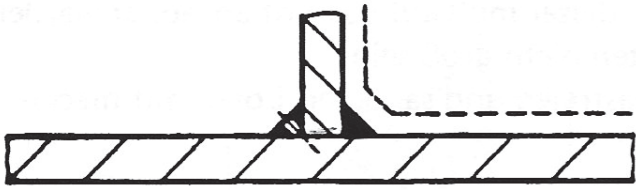


Figure 1: Double fillet weld (Source: Jobst H. Kerspe et al., Vakuumtechnik in der industriellen Praxis, expert-Verlag, Vacuum technology in industrial practice). The vacuum side is indicated by the dashed line.

This will happen slowly due to the high flow resistance of the small pores between the trapped gas volume and inner volume of the chamber. If, at the same time, the outer welding seal is tight, there is no way to localize the leak using helium leak detection. The welds that are accessible from the atmospheric side are therefore not continuous but either interrupted or subsequently spot-drilled.

For the same reason, the CF flanges are provided with a leak detection groove. It can generally be stated that a serial connection of seals always poses a risk of virtual leaks. The inner seal is the relevant seal to the vacuum while an outer seal encloses a cavity and prevents the helium used for leak detection from reaching the relevant seal.

As mentioned above, the dimensions of the leak channel determine the degassing rate. A classic example is when gas escapes from a blind hole through the thread of a screw in the wall of a vacuum chamber. A vent hole of blind holes or cannulated screws can be used to accelerate the gas leak

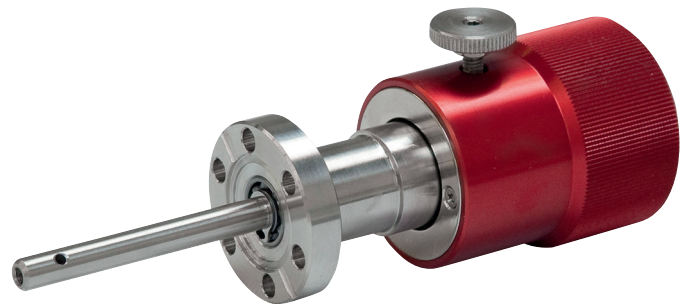


Figure 3: The shaft end of the rotary feedthrough is an internal thread with a side vent hole

from the blind hole. But the presence of a hole weakens the core of the screw and reduces the bearing capacity. If geometry permits, a vent hole can be created from the side into the thread runout.

If installations are mounted in chambers, threaded sleeves which are already provided with venting grooves can be welded onto the chamber wall instead of drilling threads into the chamber wall.

Occasionally, virtual leaks occur simply due to a gap between two flanges if the clamping ring is tightened to its maximum and the gasket is squashed.

Double lip seals are often used in chamber seals to minimize the permeation gas flow. But if the inner seal has a leak, it will in turn create a virtual leak. Grooves are the solution for evacuating the dead volume behind the O-ring and a vacuum connection between double O-rings. This allows trapped gases to be pumped out, and helium leak detection to be carried out individually for each of the two seals.

Until now, we have only spoken of gases that are located in enclosed volumes. The abovementioned effects of virtual leaks, i.e. extension of the pump-down time and the slow attainment of the desired base pressure, become even more pronounced if water vapor is confined in a virtual leak. This can occur, for example, by venting with moist ambient air or water escaping from a cooling water pipe inside the vacuum chamber. After escaping from a virtual leak, water vapor will accumulate at the coldest point in a vacuum chamber and become even more difficult to pump down than the atmospheric gases such as nitrogen, oxygen or argon that adhere less strongly to the surface.

A trick can be used to detect virtual leaks: Although a virtual leak cannot be localized by venting with an inert gas, it can however be detected by the increased ion current on the relevant mass if the vacuum system is equipped with a mass spectrometer. For example, if a chamber with a virtual leak will be evacuated after venting with helium, the intense signal of 4 u reveals the presence of a virtual leak.

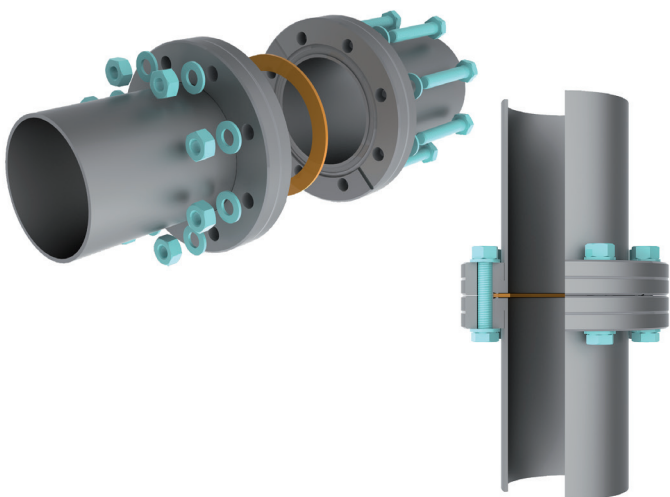


Figure 2: The CF leak detection groove opens the undefined sealed volume between the flange surface and the copper gasket

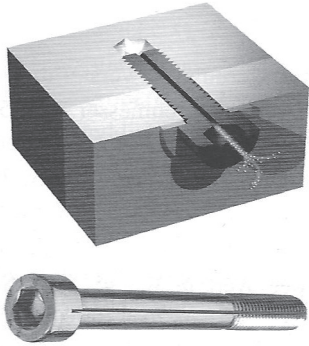


Figure 4: Screw with vent hole (Source: Karl Jousten (Publ.) Handbook Vacuum Technology, 11. Edition, Vieweg & Teubner Verlag Wiesbaden, 2013).

If venting was carried out with argon, the user can possibly save a vacuum process, in which an inert noble gas does not interfere with humidity or oxygen. An example of this involves sputtering processes in which argon is often used as a process gas.

Emerging of virtual leaks through adhering gases

Up to now, only trapped gases have been regarded. According to the definition mentioned above, gases can also adhere firmly to the surface or be stored within a material. In addition to the cleanliness of the installed parts, the choice of materials affects the outgassing behavior of the overall system.

Sealing materials and equipment used in vacuum technology store light gases, especially hydrogen, water, but also air and solvent residues. Emissions are determined by diffusion through the volume onto the surface. The volume for these materials should be kept small.

Some materials enter into the gas phase themselves. This vapor pressure is highly dependent on temperature.

For liquids such as greases, oils or water, it can turn into a dominant gas source even at room temperature. In metals, zinc for example shows a high vapor pressure. It should therefore be avoided in solid materials as well as in welding wires or in solders.



Figure 6: Centering rings with outer support ring for ISO-K connections are slotted and allow for ventilation

Aluminum always has a passive oxide layer on the surface. In untreated (native) aluminum, this layer is only a few nanometers thick and completely tight. Through anodizing, this layer can be thickened to several 10 microns. This improves the hardness considerably. However, these anodized layers are very porous and often form a virtual leak. Therefore, anodized layers are often omitted in vacuum systems.

Ceramics are often sintered oxides that reach an effective density of between 80 to 99 %, depending on the manufacturing process. The disadvantage of possible pores is usually compensated by good bake-out properties.

Metals and glasses are usually tight, but they adsorb gas at the surface. In ultra-high vacuum, this is the dominant gas source if all other virtual and actual leaks have been eliminated. In summary, one can say that even during the design and construction of a vacuum chamber or the integration of installations, utmost care should be taken to prevent virtual leaks.

We would be happy to assist you in optimizing your vacuum solutions for specific applications – go ahead and ask us!

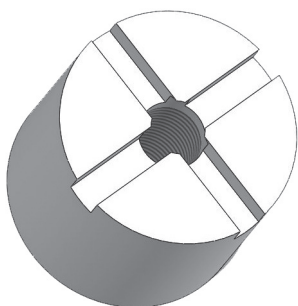


Figure 5: Threaded sleeves with milled venting grooves

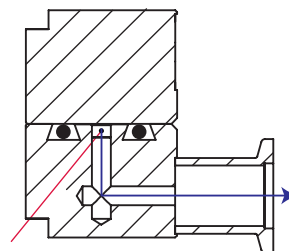


Figure 7: Double O-ring seal with interseal pumping

VACUUM SOLUTIONS FROM A SINGLE SOURCE

Pfeiffer Vacuum stands for innovative and custom vacuum solutions worldwide, technological perfection, competent advice and reliable service.

COMPLETE RANGE OF PRODUCTS

From a single component to complex systems:

We are the only supplier of vacuum technology that provides a complete product portfolio.

COMPETENCE IN THEORY AND PRACTICE

Benefit from our know-how and our portfolio of training opportunities!

We support you with your plant layout and provide first-class on-site service worldwide.

Are you looking for a
perfect vacuum solution?
Please contact us:

Pfeiffer Vacuum GmbH
Headquarters · Germany
T +49 6441 802-0
info@pfeiffer-vacuum.de

www.pfeiffer-vacuum.com

All information is subject to change without prior notice. P0423PEN (February 2016/0)

